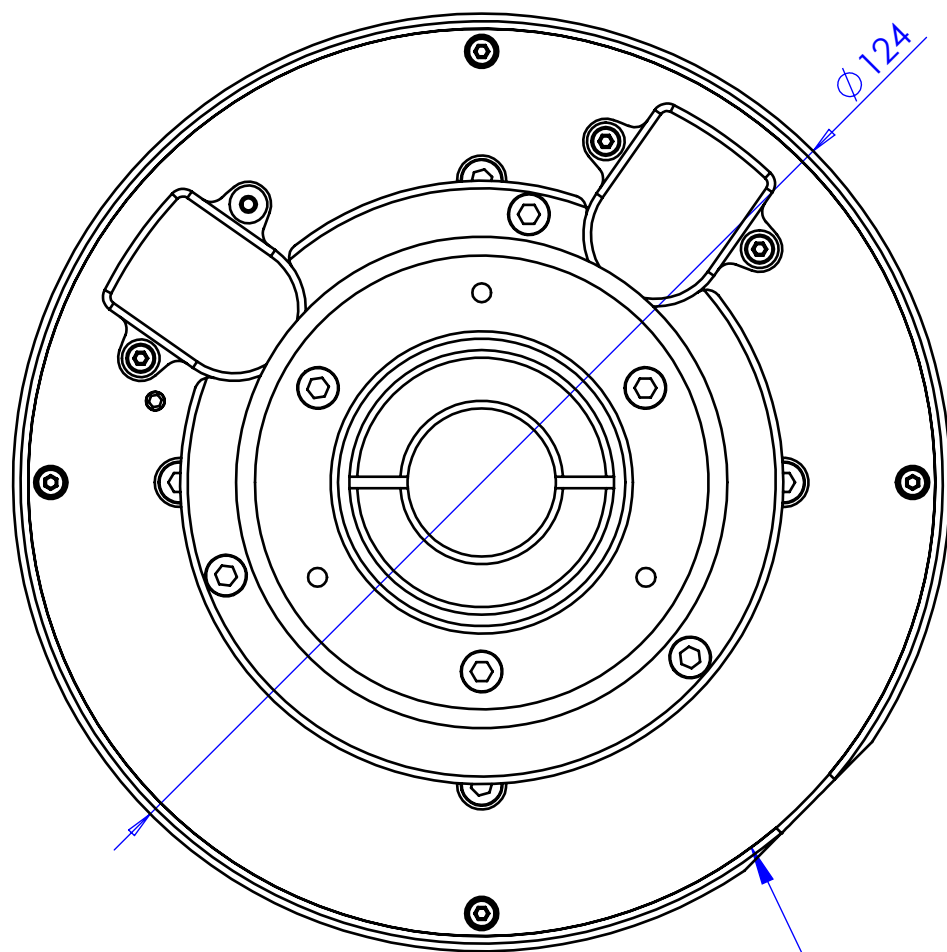


Rev No.	Description	Date	Name



$\varnothing 108$   
 $\varnothing 100 \text{ h8 } -0,054$   
 Clamping Diameter

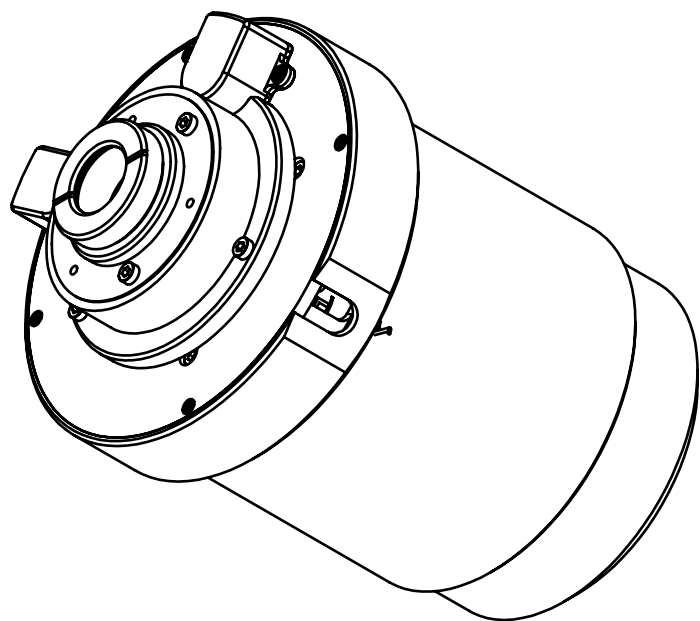
(  $\varnothing 79,8$  )

default spacers  
 0,5  
 preset Backfocal

C-Mount  
 (  $\varnothing 25,4$  )  
 1/32 TPI  
 (  $\varnothing 65$  )

119,5  
 145,5  
 ( 151,5 )  
 ( 166,1 )  
 ( 171,1 )  
 ( 175,6 )

Uscita conduttori



**Preliminare**

le quote tra parentesi potrebbero subire piccole variazioni nella finalizzazione del design meccanico

Material	N.A.		Mass	1987 g	Scale	1:1
Surface treatment	See Drawing		Part No.	CO23807		
Geometrical tolerance (ISO 2768-2)			Class		K	Undimensioned bevels 0,5x45°
Linear tolerance (ISO 2768-2)			Class		m	
0,5 ±3	>3± 6	>6± 30	>30± 120	>120 ±400	>400± 1000	>1000 ±2000
±0,1	±0,1	±0,2	±0,3	±0,5	±0,8	±1,2
Undimensioned radii			R 0,5		Undimensioned radii	
Date			Name		Description	
Designed 23/03/2015			Santini		MZMT10A5X-C	
Drawn 17/04/2015			LSantini		Drawing No.	
Checked					DP 23807-A	
Sheet			1/1		Secret and confidential - All rights reserved - No copy, dissemination or circulation is allowed unless specifically authorized in writing by OPTO ENGINEERING S.r.l. - Any violation shall be legally prosecuted.	

all dimensions are in mm



OPTO ENGINEERING S.r.l. - Mantova Italy - Tel. +39 0376 699111 - www.opto-engineering.com